

# 第十四届全运会女子手球资格赛暨2021年“体彩杯”全国女子手球冠军杯赛

万州

Place 3-4

FTR  
Match NO.22

**山东 35.0 - 19.5 广东**  
(13.5-8.0)(21.5-11.5)

2021-05-27 10:30  
万州体育馆

Referees: 李典() / 倪震()

## 山东

Players		Goals/shots										Attack			Defense			Penalties			TP			
#	Surname and name	Tot.	%	9m	6m	Wing	7m	Fst.	Brk.	FT	LD	As.	PC	E7	OF	St.	C7	Blk	W	2m		D	Dr	
1	路畅																							51:15
2	林燕群	5/8	62.5	0/1	2/3		0/1	2/2		1/1			1		4	1	2							34:35
5	张越	0/1	0			0/1																		00:00
6	孙玉坤	1/1	100			1/1																		06:31
9	周钰婷	2/5	40	1/3				1/1	0/1						1	2		1						48:08
10	田秀秀	3/8	37.5	0/4			1/1	1/1		1/2		2		1	4									52:54
11	吕青纹	4/5	80			2/3		2/2					1	1							1			23:56
15	吴作扬	0/1	0	0/1											2									05:57
16	宋俊蓉																							07:59
17	高梦洁	2/2	100						2/2															07:38
18	刘婵	2/5	40	1/2	1/1		0/1	0/1								2								28:23
19	姜伟珊	2/4	50		0/1	0/1		2/2									1							26:41
20	张悦	2/2	100					2/2																55:13
23	徐悦	2/2	100		1/1			1/1										1						21:43
27	官蕾	2/4	50		1/2		0/1	1/1							2		1	2	1					39:24
33	王彩琳	0/1	0		0/1							1			1									07:15
	Total	27/49	55.1	2/11	5/9	3/6	1/4	12/13	2/3	2/3		3	2	2	14	5	4	4	2	1				06:57:32

Goalkeepers		Saves / shots											TP
#	Surname and name	Tot.	%	9m	6m	Wing	7m	Fst.	Brk.	FT	LD		
1	路畅	17/26	65.38	4/5	4/6	3/4		3/7	0/1	3/3		51:15	
16	宋俊蓉	1/8	12.5	0/2	0/1		0/2	1/3				07:59	
	Total	18/34	52.94	4/7	4/7	3/4	0/2	4/10	0/1	3/3		00:59:14	

# Jersey number Tot. Total shooting 6m 6m shooting 9m 9m shooting Wing Wing shooting Fst Fastbreak 7m 7m Throw  
 Brk. Breakthrough LD Long distance shooting As. Assists E7 Earned 7m St. Steals 2m 2-minute suspension C7. Received 7m  
 D Disqualification Dr Disqualification+Report FT Free Throw PC Pass clear chance OF Offensiven Foul TP Time played W warning  
 Blk. Block

# 第十四届全运会女子手球资格赛暨2021年“体彩杯”全国女子手球冠军杯赛

万州

Place 3-4

Match Team Statistics  
Match NO.22

**山东 35.0 - 19.5 广东**  
(13.5-8.0)(21.5-11.5)

2021-05-27 10:30  
万州体育馆

Referees: 李典() / 倪震()

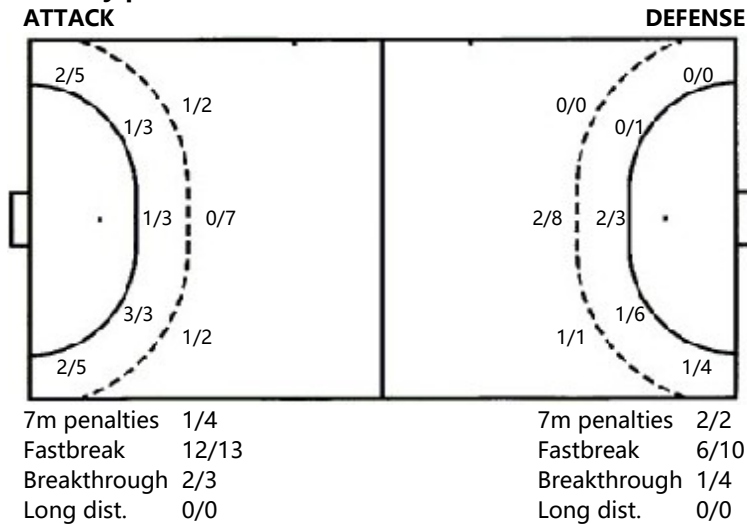
## Shot distribution by player

1.刘畅	2.林燕群	5.张越	6.孙玉坤	9.周钰婷	10.田秀秀	11.吕青纹																																																															
<table border="1" style="width: 30px; height: 30px;"><tr><td></td><td></td><td></td></tr><tr><td></td><td></td><td></td></tr><tr><td></td><td></td><td></td></tr></table>										<table border="1" style="width: 30px; height: 30px;"><tr><td></td><td>1/1</td><td></td></tr><tr><td>0/1</td><td></td><td></td></tr><tr><td>3/3</td><td></td><td>1/1</td></tr></table>		1/1		0/1			3/3		1/1	<table border="1" style="width: 30px; height: 30px;"><tr><td></td><td></td><td></td></tr><tr><td></td><td></td><td></td></tr><tr><td></td><td></td><td></td></tr></table>										<table border="1" style="width: 30px; height: 30px;"><tr><td></td><td></td><td></td></tr><tr><td></td><td></td><td></td></tr><tr><td>1/1</td><td></td><td></td></tr></table>							1/1			<table border="1" style="width: 30px; height: 30px;"><tr><td></td><td></td><td></td></tr><tr><td></td><td></td><td>0/1</td></tr><tr><td>1/2</td><td></td><td>1/1</td></tr></table>						0/1	1/2		1/1	<table border="1" style="width: 30px; height: 30px;"><tr><td>1/2</td><td>0/1</td><td>1/1</td></tr><tr><td></td><td></td><td></td></tr><tr><td>1/1</td><td></td><td></td></tr></table>	1/2	0/1	1/1				1/1			<table border="1" style="width: 30px; height: 30px;"><tr><td>1/1</td><td>1/1</td><td></td></tr><tr><td>0/1</td><td></td><td></td></tr><tr><td></td><td></td><td>2/2</td></tr></table>	1/1	1/1		0/1					2/2
	1/1																																																																				
0/1																																																																					
3/3		1/1																																																																			
1/1																																																																					
		0/1																																																																			
1/2		1/1																																																																			
1/2	0/1	1/1																																																																			
1/1																																																																					
1/1	1/1																																																																				
0/1																																																																					
		2/2																																																																			
15.吴作扬	2miss 16.宋俊蓉	1miss 17.高梦洁	18.刘婵	1post 19.姜伟珊	3post 20.张悦	23.徐悦																																																															
<table border="1" style="width: 30px; height: 30px;"><tr><td></td><td>0/1</td><td></td></tr><tr><td></td><td></td><td></td></tr><tr><td></td><td></td><td></td></tr></table>		0/1								<table border="1" style="width: 30px; height: 30px;"><tr><td></td><td></td><td></td></tr><tr><td></td><td></td><td></td></tr><tr><td></td><td></td><td></td></tr></table>										<table border="1" style="width: 30px; height: 30px;"><tr><td></td><td></td><td></td></tr><tr><td></td><td></td><td></td></tr><tr><td>2/2</td><td></td><td></td></tr></table>							2/2			<table border="1" style="width: 30px; height: 30px;"><tr><td>1/1</td><td></td><td></td></tr><tr><td></td><td></td><td>0/1</td></tr><tr><td>1/2</td><td></td><td></td></tr></table>	1/1					0/1	1/2			<table border="1" style="width: 30px; height: 30px;"><tr><td></td><td>0/1</td><td></td></tr><tr><td></td><td></td><td></td></tr><tr><td>1/1</td><td>1/1</td><td>0/1</td></tr></table>		0/1					1/1	1/1	0/1	<table border="1" style="width: 30px; height: 30px;"><tr><td></td><td></td><td></td></tr><tr><td></td><td></td><td></td></tr><tr><td></td><td></td><td>2/2</td></tr></table>									2/2	<table border="1" style="width: 30px; height: 30px;"><tr><td></td><td></td><td></td></tr><tr><td></td><td></td><td></td></tr><tr><td>1/1</td><td></td><td></td></tr></table>							1/1		
	0/1																																																																				
2/2																																																																					
1/1																																																																					
		0/1																																																																			
1/2																																																																					
	0/1																																																																				
1/1	1/1	0/1																																																																			
		2/2																																																																			
1/1																																																																					
27.官蕾	33.王彩琳	.Total		1miss																																																																	
<table border="1" style="width: 30px; height: 30px;"><tr><td></td><td></td><td></td></tr><tr><td></td><td></td><td>0/1</td></tr><tr><td>1/1</td><td>1/2</td><td></td></tr></table>						0/1	1/1	1/2		<table border="1" style="width: 30px; height: 30px;"><tr><td></td><td></td><td></td></tr><tr><td></td><td></td><td></td></tr><tr><td>0/1</td><td></td><td></td></tr></table>							0/1			<table border="1" style="width: 60px; height: 30px;"><tr><td>3/4</td><td>2/5</td><td>1/1</td></tr><tr><td>1/3</td><td></td><td>0/3</td></tr><tr><td>11/14</td><td>2/2</td><td>7/9</td></tr></table>		3/4	2/5	1/1	1/3		0/3	11/14	2/2	7/9	4post 4miss																																						
		0/1																																																																			
1/1	1/2																																																																				
0/1																																																																					
3/4	2/5	1/1																																																																			
1/3		0/3																																																																			
11/14	2/2	7/9																																																																			

## Saves distribution goalkeepers

1.刘畅	16.宋俊蓉	.Total																											
<table border="1" style="width: 30px; height: 30px;"><tr><td>2/3</td><td>1/2</td><td>1/2</td></tr><tr><td>2/3</td><td>2/2</td><td>4/4</td></tr><tr><td>1/2</td><td>0/1</td><td>4/7</td></tr></table>	2/3	1/2	1/2	2/3	2/2	4/4	1/2	0/1	4/7	<table border="1" style="width: 30px; height: 30px;"><tr><td>0/1</td><td></td><td></td></tr><tr><td></td><td></td><td>0/2</td></tr><tr><td>1/3</td><td>0/1</td><td>0/1</td></tr></table>	0/1					0/2	1/3	0/1	0/1	<table border="1" style="width: 30px; height: 30px;"><tr><td>2/4</td><td>1/2</td><td>1/2</td></tr><tr><td>2/3</td><td>2/2</td><td>4/6</td></tr><tr><td>2/5</td><td>0/2</td><td>4/8</td></tr></table>	2/4	1/2	1/2	2/3	2/2	4/6	2/5	0/2	4/8
2/3	1/2	1/2																											
2/3	2/2	4/4																											
1/2	0/1	4/7																											
0/1																													
		0/2																											
1/3	0/1	0/1																											
2/4	1/2	1/2																											
2/3	2/2	4/6																											
2/5	0/2	4/8																											

## Shots by position



## Shooting statistics

Position	Goals	Save	Miss	Post	Blk	Total	%
Back (9m)	2	3	2	4		11	18
Line (6m)	5	3	1			9	56
Wing	3	2	1			6	50
7m penalties	1	3				4	25
Fastbreak	12	1				13	92
Breakthrough	2	1				3	67
<b>Total</b>	<b>25</b>	<b>13</b>	<b>4</b>	<b>4</b>		<b>46</b>	<b>54</b>

# Jersey number Tot. Total shooting 6m 6m shooting 9m 9m shooting Wing Wing shooting Fst Fastbreak 7m 7m Throw  
 Brk. Breakthrough LD Long distance shooting As. Assists E7 Earned 7m St. Steals 2m 2-minute suspension C7. Received 7m  
 D Disqualification Dr Disqualification+Report FT Free Throw PC Pass clear chance OF Offensiven Foul TP Time played W warning

# 第十四届全运会女子手球资格赛暨2021年“体彩杯”全国女子手球冠军杯赛

万州

Place 3-4

Match Team Statistics  
Match NO.22

**山东 35.0 - 19.5 广东**  
(13.5-8.0)(21.5-11.5)

2021-05-27 10:30  
万州体育馆

Referees: 李典() / 倪震()

## 广东

Players		Goals/shots										Attack				Defense			Penalties			TP		
#	Surname and name	Tot.	%	9m	6m	Wing	7m	Fst.	Brk.	FT	LD	As.	PC	E7	OF	St.	C7	Blk	W	2m	D		Dr	
2	唐悦	2/2	100				2/2																	09:59
3	陈硕	2/8	25	1/3	1/1				0/1	0/3						2								33:30
5	张宇	2/5	40			1/4		1/1								3	1							59:08
6	姚香凝																							00:00
7	王戈	0/2			0/1			0/1																28:08
8	李诗棋	3/7	42.86					2/4	1/3						5	4	1							60:00
9	韦娜娜	4/10	40	2/5	0/3			2/2				1	1	3										49:32
13	杨慧	0/1						0/1									1							36:13
15	周亚茹	3/4	75		2/3			1/1							2		1							48:54
19	董雪													1							1			10:58
26	杨丽丽																							60:00
27	韦秋花																							00:00
28	叶飞雪																							00:00
29	韦宝桂	0/3		0/1	0/2										2									18:28
32	刘晓玉																							00:00
33	马琳	0/1								0/1													1	04:52
	Total	16/43	37.21	3/9	3/10	1/4	2/2	6/10	1/4	0/4		1	4	15	7	2				1				06:59:42

Goalkeepers		Saves / shots										TP
#	Surname and name	Tot.	%	9m	6m	Wing	7m	Fst.	Brk.	FT	LD	
26	杨丽丽	14/41	34.15	3/5	3/8	2/5	3/4	1/13	1/3	1/3		60:00
32	刘晓玉											00:00
	Total	14/41	34.15	3/5	3/8	2/5	3/4	1/13	1/3	1/3		01:00:00

# Jersey number    **Tot.** Total shooting    **6m** 6m shooting    **9m** 9m shooting    **Wing** Wing shooting    **Fst** Fastbreak    **7m** 7m Throw  
**Brk.** Breakthrough    **LD** Long distance shooting    **As.** Assists    **E7** Earned 7m    **St.** Steals    **2m** 2-minute suspension    **C7.** Received 7m  
**D** Disqualification    **Dr** Disqualification+Report    **FT** Free Throw    **PC** Pass clear chance    **OF** Offensiven Foul    **TP** Time played    **W** warning  
**Blk.** Block

# 第十四届全运会女子手球资格赛暨2021年“体彩杯”全国女子手球冠军杯赛

万州

Place 3-4

FTR  
Match NO.22

**山东 35.0 - 19.5 广东**  
(13.5-8.0)(21.5-11.5)

2021-05-27 10:30  
万州体育馆

Referees: 李典() / 倪震()

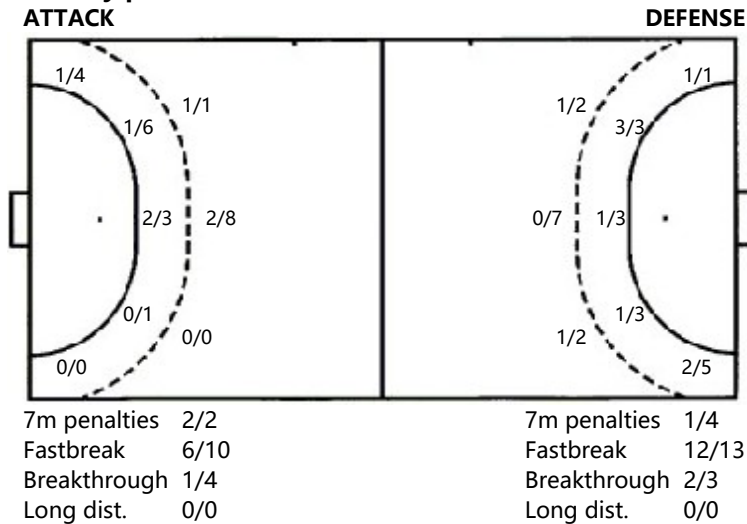
## Shot distribution by player

2.唐悦	3.陈硕	5.张宇	6.姚香凝	7.王戈	8.李诗棋	9.韦娜娜																																																															
<table border="1" style="width: 100%;"><tr><td>1/1</td><td></td><td></td></tr><tr><td></td><td></td><td></td></tr><tr><td>1/1</td><td></td><td></td></tr></table>	1/1						1/1			<table border="1" style="width: 100%;"><tr><td></td><td></td><td>1/1</td></tr><tr><td>0/1</td><td></td><td>0/2</td></tr><tr><td></td><td></td><td>1/1</td></tr></table>			1/1	0/1		0/2			1/1	<table border="1" style="width: 100%;"><tr><td></td><td></td><td></td></tr><tr><td>1/1</td><td>0/1</td><td>0/1</td></tr><tr><td></td><td>1/1</td><td>0/1</td></tr></table>				1/1	0/1	0/1		1/1	0/1	<table border="1" style="width: 100%;"><tr><td></td><td></td><td></td></tr><tr><td></td><td></td><td></td></tr><tr><td></td><td></td><td></td></tr></table>										<table border="1" style="width: 100%;"><tr><td></td><td></td><td></td></tr><tr><td>0/1</td><td>0/1</td><td></td></tr><tr><td></td><td></td><td></td></tr></table>				0/1	0/1					<table border="1" style="width: 100%;"><tr><td>1/2</td><td></td><td></td></tr><tr><td></td><td></td><td></td></tr><tr><td>1/2</td><td></td><td>1/1</td></tr></table>	1/2						1/2		1/1	<table border="1" style="width: 100%;"><tr><td></td><td></td><td></td></tr><tr><td></td><td></td><td>1/1</td></tr><tr><td>1/2</td><td>1/1</td><td>1/2</td></tr></table>						1/1	1/2	1/1	1/2
1/1																																																																					
1/1																																																																					
		1/1																																																																			
0/1		0/2																																																																			
		1/1																																																																			
1/1	0/1	0/1																																																																			
	1/1	0/1																																																																			
0/1	0/1																																																																				
1/2																																																																					
1/2		1/1																																																																			
		1/1																																																																			
1/2	1/1	1/2																																																																			
13.杨慧	15.周亚茹 <small>1miss 2block</small>	19.董雪	26.杨丽丽	27.韦秋花	28.叶飞雪 <small>1post 1miss</small>	29.韦宝桂 <small>1post 1miss 2block</small>																																																															
<table border="1" style="width: 100%;"><tr><td></td><td></td><td></td></tr><tr><td></td><td></td><td>0/1</td></tr><tr><td></td><td></td><td></td></tr></table>						0/1				<table border="1" style="width: 100%;"><tr><td></td><td>1/1</td><td></td></tr><tr><td></td><td></td><td>1/1</td></tr><tr><td></td><td></td><td>1/2</td></tr></table>		1/1				1/1			1/2	<table border="1" style="width: 100%;"><tr><td></td><td></td><td></td></tr><tr><td></td><td></td><td></td></tr><tr><td></td><td></td><td></td></tr></table>										<table border="1" style="width: 100%;"><tr><td></td><td></td><td></td></tr><tr><td></td><td></td><td></td></tr><tr><td></td><td></td><td></td></tr></table>										<table border="1" style="width: 100%;"><tr><td></td><td></td><td></td></tr><tr><td></td><td></td><td></td></tr><tr><td></td><td></td><td></td></tr></table>										<table border="1" style="width: 100%;"><tr><td></td><td></td><td></td></tr><tr><td></td><td></td><td></td></tr><tr><td></td><td></td><td></td></tr></table>										<table border="1" style="width: 100%;"><tr><td>0/1</td><td>0/1</td><td></td></tr><tr><td></td><td></td><td></td></tr><tr><td></td><td></td><td>0/1</td></tr></table>	0/1	0/1							0/1
		0/1																																																																			
	1/1																																																																				
		1/1																																																																			
		1/2																																																																			
0/1	0/1																																																																				
		0/1																																																																			
32.刘晓玉	33.马琳	.Total																																																																			
<table border="1" style="width: 100%;"><tr><td></td><td></td><td></td></tr><tr><td></td><td></td><td></td></tr><tr><td></td><td></td><td></td></tr></table>										<table border="1" style="width: 100%;"><tr><td></td><td></td><td>0/1</td></tr><tr><td></td><td></td><td></td></tr><tr><td></td><td></td><td></td></tr></table>			0/1							<table border="1" style="width: 100%;"><tr><td>2/4</td><td>1/2</td><td>1/2</td></tr><tr><td>1/3</td><td>0/2</td><td>2/6</td></tr><tr><td>3/5</td><td>2/2</td><td>4/8</td></tr></table> <small>2post 3miss 4block</small>				2/4	1/2	1/2	1/3	0/2	2/6	3/5	2/2	4/8																																					
		0/1																																																																			
2/4	1/2	1/2																																																																			
1/3	0/2	2/6																																																																			
3/5	2/2	4/8																																																																			

## Saves distribution goalkeepers

26.杨丽丽	32.刘晓玉	.Total																											
<table border="1" style="width: 100%;"><tr><td>1/4</td><td>3/5</td><td>0/1</td></tr><tr><td>2/3</td><td></td><td>3/3</td></tr><tr><td>3/14</td><td>0/2</td><td>2/9</td></tr></table>	1/4	3/5	0/1	2/3		3/3	3/14	0/2	2/9	<table border="1" style="width: 100%;"><tr><td></td><td></td><td></td></tr><tr><td></td><td></td><td></td></tr><tr><td></td><td></td><td></td></tr></table>										<table border="1" style="width: 100%;"><tr><td>1/4</td><td>3/5</td><td>0/1</td></tr><tr><td>2/3</td><td></td><td>3/3</td></tr><tr><td>3/14</td><td>0/2</td><td>2/9</td></tr></table>	1/4	3/5	0/1	2/3		3/3	3/14	0/2	2/9
1/4	3/5	0/1																											
2/3		3/3																											
3/14	0/2	2/9																											
1/4	3/5	0/1																											
2/3		3/3																											
3/14	0/2	2/9																											

## Shots by position



## Shooting statistics

Position	Goals	Save	Miss	Post	Blk	Total	%
Back (9m)	3	4		1	1	9	33
Line (6m)	3	4	1		2	10	30
Wing	1	3				4	25
7m penalties	2					2	100
Fastbreak	6	4				10	60
Breakthrough	1		2	1		4	25
<b>Total</b>	<b>16</b>	<b>15</b>	<b>3</b>	<b>2</b>	<b>3</b>	<b>39</b>	<b>41</b>

# Jersey number Tot. Total shooting 6m 6m shooting 9m 9m shooting Wing Wing shooting Fst Fastbreak 7m 7m Throw  
 Brk. Breakthrough LD Long distance shooting As. Assists E7 Earned 7m St. Steals 2m 2-minute suspension C7. Received 7m  
 D Disqualification Dr Disqualification+Report FT Free Throw PC Pass clear chance OF Offensiven Foul TP Time played W warning