

# 第十四届全运会女子手球资格赛暨2021年“体彩杯”全国女子手球冠军杯赛

万州

Preliminary

FTR  
Match NO.12

**山东 27.0 - 28.5 上海**  
(10.0-10.0)(17.0-18.5)

2021-05-23 17:30  
万州体育馆

Referees: 张耿() / 张斌()

## 山东

Players		Goals/shots										Attack			Defense			Penalties			TP			
#	Surname and name	Tot.	%	9m	6m	Wing	7m	Fst.	Brk.	FT	LD	As.	PC	E7	OF	St.	C7	Blk	W	2m		D	Dr	
1	路畅																							45:46
2	林燕群	8/15	53.33	1/4	1/1	0/1	3/3	2/4	1/1	0/1					4	2								15:02
5	张越																							00:00
6	孙玉坤	0/1	0							0/1					1									00:00
9	周钰婷	1/3	33.33	0/1					1/2			1	1			2								35:38
10	田秀秀	4/9	44.44	1/4	2/2				1/2	0/1				1	1		2							41:11
11	吕青纹	2/5	40	0/1		2/3			0/1			2			2	1								21:20
15	吴作扬													1										03:34
16	宋俊蓉																							01:49
17	高梦洁																							00:00
18	刘婵	0/4	0	0/4											1		1							18:25
19	姜伟珊													1	1			1	1					09:53
20	张悦	1/2	50			0/1		1/1						2			1				1			44:02
23	徐悦													1										11:48
27	官蕾	7/10	70		2/3		0/1	4/5	1/1						1		2	4						47:32
33	王彩琳																							09:52
	Total	23/49	46.94	2/14	5/6	2/5	3/4	7/10	4/7	0/3		3	1	6	11	5	4	6	1	1	1			05:05:52

Goalkeepers		Saves / shots											TP
#	Surname and name	Tot.	%	9m	6m	Wing	7m	Fst.	Brk.	FT	LD		
1	路畅	6/26	23.08	1/2	2/8	1/2	1/3	0/4	0/5	0/1	1/1	45:46	
16	宋俊蓉	0/3					0/3					01:49	
	Total	6/29	20.69	1/2	2/8	1/2	1/6	0/4	0/5	0/1	1/1	00:47:35	

# Jersey number Tot. Total shooting 6m 6m shooting 9m 9m shooting Wing Wing shooting Fst Fastbreak 7m 7m Throw  
 Brk. Breakthrough LD Long distance shooting As. Assists E7 Earned 7m St. Steals 2m 2-minute suspension C7. Received 7m  
 D Disqualification Dr Disqualification+Report FT Free Throw PC Pass clear chance OF Offensiven Foul TP Time played W warning  
 Blk. Block

# 第十四届全运会女子手球资格赛暨2021年“体彩杯”全国女子手球冠军杯赛

万州  
Preliminary

Match Team Statistics  
Match NO.12

**山东 27.0 - 28.5 上海**  
(10.0-10.0)(17.0-18.5)

2021-05-23 17:30  
万州体育馆

Referees: 张耿() / 张斌()

## Shot distribution by player

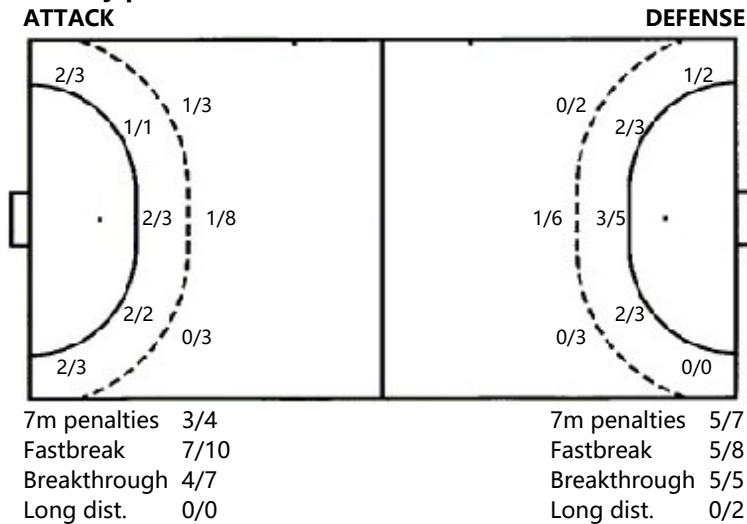
1.刘畅	2.林燕群	5.张越	6.孙玉坤	9.周钰婷	10.田秀秀	11.吕青纹
	1/2 0/1 1/1		0/1		1/1 1/1	1/1
	1/2 0/1			1/1	0/1	1/2
	2/2 1/2 2/2			0/2	1/4 1/1	0/1
15.吴作扬	16.宋俊蓉	17.高梦洁	18.刘婵	19.姜伟珊	20.张悦 <sup>1post</sup>	23.徐悦 <sup>1miss</sup>
			0/2		1/1	
			0/1		0/1	
27.官蕾	33.王彩琳	.Total	1miss			
1/2		4/7 0/1 2/2				
	1/2	1/5 4/7				
	1/2 4/4	3/11 2/4 7/7				

1post 2miss 2block

## Saves distribution goalkeepers

1.刘畅	16.宋俊蓉	.Total
1/3	0/1	1/4
0/2 1/1 1/3		0/3
2/6 1/1 0/7	0/1 0/1	0/3 1/1 2/5
		2/7 1/1 0/8

## Shots by position



## Shooting statistics

Position	Goals	Save	Miss	Post	Blk	Total	%
Back (9m)	2	8	2		2	14	14
Line (6m)	5	1				6	83
Wing	2	3				5	40
7m penalties	3	1				4	75
Fastbreak	7	3				10	70
Breakthrough	4	2		1		7	57
<b>Total</b>	<b>23</b>	<b>18</b>	<b>2</b>	<b>1</b>	<b>2</b>	<b>46</b>	<b>50</b>

# Jersey number **Tot.**Total shooting **6m** 6m shooting **9m** 9m shooting **Wing**Wing shooting **Fst** Fastbreak **7m** 7m Throw  
**Brk.**Breakthrough **LD** Long distance shooting **As.** Assists **E7** Earned 7m **St.** Steals **2m** 2-minute suspension **C7.** Received 7m  
**D** Disqualification **Dr** Disqualification+Report **FT** Free Throw **PC** Pass clear chance **OF** Offensiven Foul **TP** Time played **W** warning  
**Blk.**Block

# 第十四届全运会女子手球资格赛暨2021年“体彩杯”全国女子手球冠军杯赛

万州  
Preliminary

Match Team Statistics  
Match NO.12

**山东 27.0 - 28.5 上海**  
(10.0-10.0)(17.0-18.5)

2021-05-23 17:30  
万州体育馆

Referees: 张耿() / 张斌()

## 上海

Players		Goals/shots										Attack				Defense			Penalties				TP	
#	Surname and name	Tot.	%	9m	6m	Wing	7m	Fst.	Brk.	FT	LD	As.	PC	E7	OF	St.	C7	Blk	W	2m	D	Dr		
1	丛蓉																							00:00
2	周蕾	3/5	60		1/2	1/1		1/1			0/1	null		1	1	1	1							27:48
3	江馨彤	0/1						0/1						1			1	2		2				25:37
5	王嘉怡	9/16	56.25	1/4	3/4		2/4	1/1	2/2	0/1			1	1	3		4		1					35:38
6	黄妍	2/6	33.33	0/3			1/1			1/1	0/1	null			2									39:16
8	张萍萍																							00:00
9	武娜娜	5/7	71.43		2/2			3/5								1								27:10
10	包纪仪																							00:00
11	孙梦颖	4/7	57.14	0/2	1/2		1/1		2/2				1		3	2								44:20
12	郑冯														1									43:21
17	杨崧	2/4	50	0/2			1/1		1/1						4						1			05:38
22	胡晓莹																							00:29
25	徐安琪	0/1			0/1															2				13:38
28	杨奚琦	0/1				0/1								1										05:58
	Total	25/48	52.08	1/11	7/11	1/2	5/7	5/8	5/5	1/2	0/2	4	2	4	14	4	6	2	2	6	1			04:28:53

Goalkeepers		Saves / shots										TP
#	Surname and name	Tot.	%	9m	6m	Wing	7m	Fst	Brk.	FT	LD	
1	丛蓉											00:00
12	郑冯	18/39	46.15	7/9	1/6	2/4	0/1	3/10	2/6	3/3		43:21
22	胡晓莹	1/3	33.33				1/3					00:29
	Total	19/42	45.24	7/9	1/6	2/4	1/4	3/10	2/6	3/3		00:43:50

# Jersey number    Tot. Total shooting    6m 6m shooting    9m 9m shooting    Wing Wing shooting    Fst Fastbreak    7m 7m Throw  
 Brk. Breakthrough    LD Long distance shooting    As. Assists    E7 Earned 7m    St. Steals    2m 2-minute suspension    C7. Received 7m  
 D Disqualification    Dr Disqualification+Report    FT Free Throw    PC Pass clear chance    OF Offensiven Foul    TP Time played    W warning  
 Blk. Block

# 第十四届全运会女子手球资格赛暨2021年“体彩杯”全国女子手球冠军杯赛

万州  
Preliminary

FTR  
Match NO.12

**山东 27.0 - 28.5 上海**  
(10.0-10.0)(17.0-18.5)

2021-05-23 17:30  
万州体育馆

Referees: 张耿() / 张斌()

## Shot distribution by player

1.丛蓉	2.周蕾	3.江馨彤	5.王嘉怡	6.黄妍	8.张萍萍	9.武娜娜																																																															
<table border="1" style="width: 100%;"><tr><td> </td><td> </td><td> </td></tr><tr><td> </td><td> </td><td> </td></tr><tr><td> </td><td> </td><td> </td></tr></table>										<table border="1" style="width: 100%;"><tr><td> </td><td> </td><td>1/1</td></tr><tr><td> </td><td> </td><td>1/1</td></tr><tr><td>0/1</td><td>0/1</td><td>1/1</td></tr></table>			1/1			1/1	0/1	0/1	1/1	<table border="1" style="width: 100%;"><tr><td> </td><td> </td><td> </td></tr><tr><td> </td><td> </td><td>0/1</td></tr><tr><td> </td><td> </td><td> </td></tr></table>						0/1				<table border="1" style="width: 100%;"><tr><td>0/1</td><td> </td><td>1/1</td></tr><tr><td>1/1</td><td> </td><td>1/2</td></tr><tr><td>3/3</td><td> </td><td>3/3</td></tr></table>	0/1		1/1	1/1		1/2	3/3		3/3	<table border="1" style="width: 100%;"><tr><td> </td><td> </td><td>1/1</td></tr><tr><td> </td><td> </td><td> </td></tr><tr><td>1/1</td><td> </td><td> </td></tr></table>			1/1				1/1			<table border="1" style="width: 100%;"><tr><td> </td><td> </td><td> </td></tr><tr><td> </td><td> </td><td> </td></tr><tr><td> </td><td> </td><td> </td></tr></table>										<table border="1" style="width: 100%;"><tr><td> </td><td> </td><td> </td></tr><tr><td>2/2</td><td> </td><td>1/1</td></tr><tr><td>1/1</td><td> </td><td>1/1</td></tr></table>				2/2		1/1	1/1		1/1
		1/1																																																																			
		1/1																																																																			
0/1	0/1	1/1																																																																			
		0/1																																																																			
0/1		1/1																																																																			
1/1		1/2																																																																			
3/3		3/3																																																																			
		1/1																																																																			
1/1																																																																					
2/2		1/1																																																																			
1/1		1/1																																																																			
10.包纪仪	11.孙梦颖	12.郑冯	17.杨崑	22.胡晓莹	25.徐安琪	28.杨奚琦																																																															
<table border="1" style="width: 100%;"><tr><td> </td><td> </td><td> </td></tr><tr><td> </td><td> </td><td> </td></tr><tr><td> </td><td> </td><td> </td></tr></table>										<table border="1" style="width: 100%;"><tr><td>1/1</td><td> </td><td> </td></tr><tr><td> </td><td> </td><td> </td></tr><tr><td> </td><td> </td><td>3/3</td></tr></table>	1/1								3/3	<table border="1" style="width: 100%;"><tr><td> </td><td> </td><td> </td></tr><tr><td> </td><td> </td><td> </td></tr><tr><td> </td><td> </td><td> </td></tr></table>										<table border="1" style="width: 100%;"><tr><td>2/2</td><td> </td><td> </td></tr><tr><td> </td><td> </td><td> </td></tr><tr><td> </td><td> </td><td> </td></tr></table>	2/2									<table border="1" style="width: 100%;"><tr><td> </td><td> </td><td> </td></tr><tr><td> </td><td> </td><td> </td></tr><tr><td> </td><td> </td><td> </td></tr></table>										<table border="1" style="width: 100%;"><tr><td> </td><td> </td><td> </td></tr><tr><td> </td><td> </td><td> </td></tr><tr><td>0/1</td><td> </td><td> </td></tr></table>							0/1			<table border="1" style="width: 100%;"><tr><td> </td><td> </td><td> </td></tr><tr><td> </td><td> </td><td>0/1</td></tr><tr><td> </td><td> </td><td> </td></tr></table>						0/1			
1/1																																																																					
		3/3																																																																			
2/2																																																																					
0/1																																																																					
		0/1																																																																			

.Total

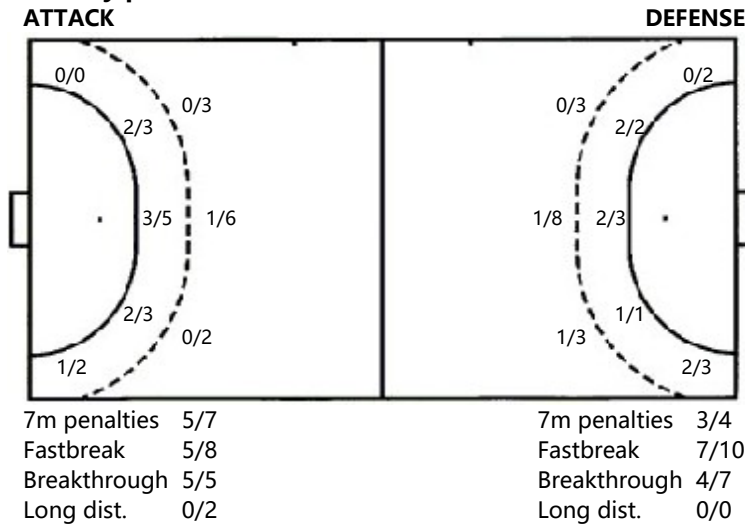
3/4		3/3
3/3	0/1	3/5
5/7	0/1	8/8

2post 8miss 6block

## Saves distribution goalkeepers

1.丛蓉	12.郑冯	22.胡晓莹	.Total																																				
<table border="1" style="width: 100%;"><tr><td> </td><td> </td><td> </td></tr><tr><td> </td><td> </td><td> </td></tr><tr><td> </td><td> </td><td> </td></tr></table>										<table border="1" style="width: 100%;"><tr><td>2/6</td><td>1/1</td><td>0/2</td></tr><tr><td>4/4</td><td> </td><td>3/7</td></tr><tr><td>6/8</td><td>2/4</td><td>0/7</td></tr></table>	2/6	1/1	0/2	4/4		3/7	6/8	2/4	0/7	<table border="1" style="width: 100%;"><tr><td>1/1</td><td> </td><td> </td></tr><tr><td>0/1</td><td> </td><td> </td></tr><tr><td>0/1</td><td> </td><td> </td></tr></table>	1/1			0/1			0/1			<table border="1" style="width: 100%;"><tr><td>3/7</td><td>1/1</td><td>0/2</td></tr><tr><td>4/5</td><td> </td><td>3/7</td></tr><tr><td>8/11</td><td>2/4</td><td>0/7</td></tr></table>	3/7	1/1	0/2	4/5		3/7	8/11	2/4	0/7
2/6	1/1	0/2																																					
4/4		3/7																																					
6/8	2/4	0/7																																					
1/1																																							
0/1																																							
0/1																																							
3/7	1/1	0/2																																					
4/5		3/7																																					
8/11	2/4	0/7																																					

## Shots by position



## Shooting statistics

Position	Goals	Save	Miss	Post	Blk	Total	%
Back (9m)	1	1	3		6	11	9
Line (6m)	7	2	1	1		11	64
Wing	1	1				2	50
7m penalties	5	1	1			7	71
Fastbreak	5	1	1	1		8	63
Breakthrough	5					5	100
<b>Total</b>	<b>24</b>	<b>6</b>	<b>6</b>	<b>2</b>	<b>6</b>	<b>44</b>	<b>55</b>

# Jersey number   **Tot.** Total shooting   **6m** 6m shooting   **9m** 9m shooting   **Wing** Wing shooting   **Fst** Fastbreak   **7m** 7m Throw  
**Brk.** Breakthrough   **LD** Long distance shooting   **As.** Assists   **E7** Earned 7m   **St.** Steals   **2m** 2-minute suspension   **C7.** Received 7m  
**D** Disqualification   **Dr** Disqualification+Report   **FT** Free Throw   **PC** Pass clear chance   **OF** Offensiven Foul   **TP** Time played   **W** warning  
**Blk.** Block