

2021年全国女子手球锦标赛

安庆

Preliminary

FTR
Match NO.12

山东 31.0 - 28.5 上海
(22.0-12.0)(9.0-16.5)

2021-04-21 14:40
安庆市体育馆

Referees: 张耿(CHN) / 马晓晔(CHN)

山东

Players		Goals/shots										Attack				Defense			Penalties				TP	
#	Surname and name	Tot.	%	9m	6m	Wing	7m	Fst.	Brk.	FT	LD	As.	PC	E7	OF	St.	C7	Blk	W	2m	D	Dr		
1	路畅											1												00:00
2	林燕群	9/13	69.23	1/1	4/4		1/2	2/2	1/4						4						1			56:21
5	张越																							00:00
9	周钰婷	2/4	50	1/3	1/1							1			1	2	1							54:38
10	田秀秀	9/14	64.29	2/4	0/2			3/4	4/4					1	3	1	1			1	1			00:00
11	吕青纹																							00:00
15	吴作扬																							07:00
16	宋俊蓉																							00:00
17	高梦洁																							00:00
18	刘婵														2									04:14
19	姜伟珊	2/2	100		1/1	1/1									2	2								00:00
20	张悦	0/1	0								0/1													00:00
22	邓雅楠																							00:00
23	徐悦													1							1			10:59
27	官蕾	4/5	80				2/2	1/2	1/1								2				3			46:37
33	王彩琳																							00:00
	Total	26/39	66.67	4/8	6/8	1/1	3/4	6/8	6/9		0/1	2		1	13	5	4			1	6			

Goalkeepers		Saves / shots										TP
#	Surname and name	Tot.	%	9m	6m	Wing	7m	Fst.	Brk.	FT	LD	
1	路畅	9/34	26.47	2/6	2/12	1/6	0/1	0/2	3/6	1/1		00:00
16	宋俊蓉											00:00
22	邓雅楠											00:00
	Total	9/34	26.47	2/6	2/12	1/6	0/1	0/2	3/6	1/1		

Jersey number Tot. Total shooting 6m 6m shooting 9m 9m shooting Wing Wing shooting Fst Fastbreak 7m 7m Throw
 Brk. Breakthrough LD Long distance shooting As. Assists E7 Earned 7m St. Steals 2m 2-minute suspension C7. Received 7m
 D Disqualification Dr Disqualification+Report FT Free Throw PC Pass clear chance OF Offensiven Foul TP Time played W warning
 Blk. Block

2021年全国女子手球锦标赛

安庆

Preliminary

Match Team Statistics
Match NO.12

山东 31.0 - 28.5 上海
(22.0-12.0)(9.0-16.5)

2021-04-21 14:40
安庆市体育馆

Referees: 张耿(CHN) / 马晓晔(CHN)

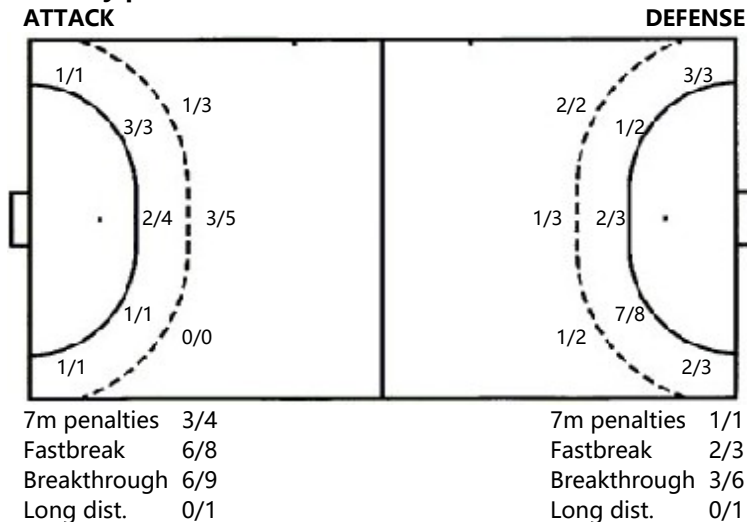
Shot distribution by player

1.刘畅	2.林燕群	5.张越	9.周钰婷	10.田秀秀	11.吕青纹	15.吴作扬																																	
<table border="1" style="width: 100%; height: 30px;"><tr><td> </td><td> </td><td> </td></tr></table>				<table border="1" style="width: 100%; height: 30px;"><tr><td>1/2</td><td> </td><td>2/2</td></tr><tr><td>1/1</td><td> </td><td> </td></tr><tr><td>3/5</td><td> </td><td>2/3</td></tr></table>	1/2		2/2	1/1			3/5		2/3	<table border="1" style="width: 100%; height: 30px;"><tr><td> </td><td> </td><td> </td></tr></table>				<table border="1" style="width: 100%; height: 30px;"><tr><td> </td><td> </td><td> </td></tr></table>				<table border="1" style="width: 100%; height: 30px;"><tr><td>0/1</td><td> </td><td>1/1</td></tr><tr><td>0/2</td><td> </td><td>2/3</td></tr><tr><td>4/4</td><td>1/1</td><td>1/1</td></tr></table>	0/1		1/1	0/2		2/3	4/4	1/1	1/1	<table border="1" style="width: 100%; height: 30px;"><tr><td> </td><td> </td><td> </td></tr></table>				<table border="1" style="width: 100%; height: 30px;"><tr><td> </td><td> </td><td> </td></tr></table>			
1/2		2/2																																					
1/1																																							
3/5		2/3																																					
0/1		1/1																																					
0/2		2/3																																					
4/4	1/1	1/1																																					
16.宋俊蓉	17.高梦洁	18.刘婵	19.姜伟珊 <small>1post</small>	20.张悦 <small>1miss</small>	22.邓雅楠	23.徐悦																																	
<table border="1" style="width: 100%; height: 30px;"><tr><td> </td><td> </td><td> </td></tr></table>				<table border="1" style="width: 100%; height: 30px;"><tr><td> </td><td> </td><td> </td></tr></table>				<table border="1" style="width: 100%; height: 30px;"><tr><td> </td><td> </td><td> </td></tr></table>				<table border="1" style="width: 100%; height: 30px;"><tr><td> </td><td> </td><td>1/1</td></tr><tr><td> </td><td> </td><td>1/1</td></tr></table>			1/1			1/1	<table border="1" style="width: 100%; height: 30px;"><tr><td> </td><td> </td><td> </td></tr><tr><td> </td><td> </td><td>0/1</td></tr></table>						0/1	<table border="1" style="width: 100%; height: 30px;"><tr><td> </td><td> </td><td> </td></tr></table>				<table border="1" style="width: 100%; height: 30px;"><tr><td> </td><td> </td><td> </td></tr></table>									
		1/1																																					
		1/1																																					
		0/1																																					
27.官蕾	33.王彩琳	.Total																																					
<table border="1" style="width: 100%; height: 30px;"><tr><td> </td><td> </td><td>1/1</td></tr><tr><td>1/1</td><td> </td><td> </td></tr><tr><td> </td><td>1/1</td><td>1/1</td></tr></table>			1/1	1/1				1/1	1/1	<table border="1" style="width: 100%; height: 30px;"><tr><td> </td><td> </td><td> </td></tr></table>				<table border="1" style="width: 100%; height: 30px;"><tr><td>1/3</td><td> </td><td>5/5</td></tr><tr><td>2/4</td><td> </td><td>2/3</td></tr><tr><td>9/11</td><td>2/2</td><td>5/8</td></tr></table>					1/3		5/5	2/4		2/3	9/11	2/2	5/8												
		1/1																																					
1/1																																							
	1/1	1/1																																					
1/3		5/5																																					
2/4		2/3																																					
9/11	2/2	5/8																																					

Saves distribution goalkeepers

1.刘畅	16.宋俊蓉	22.邓雅楠	.Total																								
<table border="1" style="width: 100%; height: 30px;"><tr><td>0/5</td><td>0/1</td><td>0/3</td></tr><tr><td>2/5</td><td>1/1</td><td>0/1</td></tr><tr><td>4/9</td><td>1/2</td><td>1/7</td></tr></table>	0/5	0/1	0/3	2/5	1/1	0/1	4/9	1/2	1/7	<table border="1" style="width: 100%; height: 30px;"><tr><td> </td><td> </td><td> </td></tr></table>				<table border="1" style="width: 100%; height: 30px;"><tr><td> </td><td> </td><td> </td></tr></table>				<table border="1" style="width: 100%; height: 30px;"><tr><td>0/5</td><td>0/1</td><td>0/3</td></tr><tr><td>2/5</td><td>1/1</td><td>0/1</td></tr><tr><td>4/9</td><td>1/2</td><td>1/7</td></tr></table>	0/5	0/1	0/3	2/5	1/1	0/1	4/9	1/2	1/7
0/5	0/1	0/3																									
2/5	1/1	0/1																									
4/9	1/2	1/7																									
0/5	0/1	0/3																									
2/5	1/1	0/1																									
4/9	1/2	1/7																									

Shots by position



Shooting statistics

Position	Goals	Save	Miss	Post	Blk	Total	%
Back (9m)	4	3		1		8	50
Line (6m)	6	1	1			8	75
Wing	1					1	100
7m penalties	3	1				4	75
Fastbreak	6	1		1		8	75
Breakthrough	6	3				9	67
Total	26	9	1	2		38	68

Jersey number **Tot.** Total shooting **6m** 6m shooting **9m** 9m shooting **Wing** Wing shooting **Fst** Fastbreak **7m** 7m Throw
Brk. Breakthrough **LD** Long distance shooting **As.** Assists **E7** Earned 7m **St.** Steals **2m** 2-minute suspension **C7.** Received 7m
D Disqualification **Dr** Disqualification+Report **FT** Free Throw **PC** Pass clear chance **OF** Offensiven Foul **TP** Time played **W** warning
Blk. Block

2021年全国女子手球锦标赛

安庆

Preliminary

Match Team Statistics
Match NO.12

山东 31.0 - 28.5 上海
(22.0-12.0)(9.0-16.5)

2021-04-21 14:40
安庆市体育馆

Referees: 张耿(CHN) / 马晓晔(CHN)

上海

Players		Goals/shots										Attack				Defense			Penalties				TP		
#	Surname and name	Tot.	%	9m	6m	Wing	7m	Fst.	Brk.	FT	LD	As.	PC	E7	OF	St.	C7	Blk	W	2m	D	Dr			
1	丛蓉																							00:09	
3	江馨彤	1/1	100		1/1										1	3		1						1	44:42
5	王嘉怡	3/7	42.86		1/2			1/1	1/3	0/1					1	1									59:26
6	黄妍	6/8	75	2/2	2/3	0/1		1/1	1/1						3										30:43
8	张萍萍	3/4	75		1/2	1/1			1/1						1									1	26:43
9	武娜娜	5/5	100		3/3	2/2									1										53:21
10	包纪仪																								00:00
11	孙梦颖	5/7	71.43	2/4	2/2		1/1									2	1								46:01
12	郑冯	0/1									0/1	null													34:56
17	杨崧	0/3		0/1				0/1	0/1						1	4							1		28:04
19	熊嘉旎																								00:00
22	胡晓莹																								00:38
23	张艺																								00:00
25	徐安琪															1	1							1	26:18
28	杨奚琦	2/2	100			2/2									1										43:37
Total		25/38	65.79	4/7	10/13	5/6	1/1	2/3	3/6	0/1	0/1	4		4	15	3	1			1			3		

Goalkeepers		Saves / shots										TP
#	Surname and name	Tot.	%	9m	6m	Wing	7m	Fst.	Brk.	FT	LD	
1	丛蓉	1/1	100				1/1					00:09
12	郑冯	9/29	31.03	3/7	1/6	0/1		1/5	3/9		1/1	34:56
22	胡晓莹	0/6			0/1		0/3	0/2				00:38
Total		10/36	27.78	3/7	1/7	0/1	1/4	1/7	3/9		1/1	

Jersey number Tot. Total shooting 6m 6m shooting 9m 9m shooting Wing Wing shooting Fst Fastbreak 7m 7m Throw
 Brk. Breakthrough LD Long distance shooting As. Assists E7 Earned 7m St. Steals 2m 2-minute suspension C7. Received 7m
 D Disqualification Dr Disqualification+Report FT Free Throw PC Pass clear chance OF Offensiven Foul TP Time played W warning
 Blk. Block

2021年全国女子手球锦标赛

安庆

Preliminary

FTR
Match NO.12

山东 31.0 - 28.5 上海
(22.0-12.0)(9.0-16.5)

2021-04-21 14:40
安庆市体育馆

Referees: 张耿(CHN) / 马晓晔(CHN)

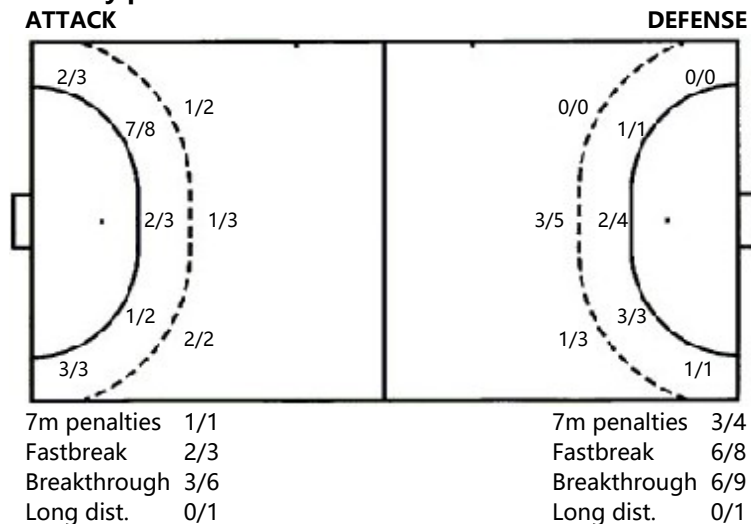
Shot distribution by player

1.丛蓉	3.江馨彤	5.王嘉怡	6.黄妍	8.张萍萍	9.武娜娜	10.包纪仪
		1/2	2/2	1/1	1/1 1/1 2/2	
	1/1	0/1 0/1 2/3	2/4	1/1	1/1	
11.孙梦颖	12.郑冯	17.杨崧	19.熊嘉旋	22.胡晓莹	23.张艺	25.徐安琪
1/1				1miss		
1/1 0/1		0/1				
		0/1				
1post	1miss	1post				
28.杨奚琦	.Total					
1/1	5/5 1/1 3/3					
	3/5 0/1 1/1					
1/1	5/9 1/2 6/7					
	2post 2miss					

Saves distribution goalkeepers

1.丛蓉	12.郑冯	22.胡晓莹	.Total
	2/3		2/3
	2/3	0/5	2/4
1/1	1/7 0/2 3/6	0/1	2/11 0/2 3/8

Shots by position



Shooting statistics

Position	Goals	Save	Miss	Post	Blk	Total	%
Back (9m)	4	2		1		7	57
Line (6m)	10	2	1			13	77
Wing	5	1				6	83
7m penalties	1					1	100
Fastbreak	2			1		3	67
Breakthrough	3	3				6	50
Total	25	8	1	2		36	69

Jersey number Tot. Total shooting 6m 6m shooting 9m 9m shooting Wing Wing shooting Fst Fastbreak 7m 7m Throw
 Brk. Breakthrough LD Long distance shooting As. Assists E7 Earned 7m St. Steals 2m 2-minute suspension C7. Received 7m
 D Disqualification Dr Disqualification+Report FT Free Throw PC Pass clear chance OF Offensiven Foul TP Time played W warning